

**Reason-X DATA SHEETS**

***MODEL:***

**Reason-X12** ..... 1

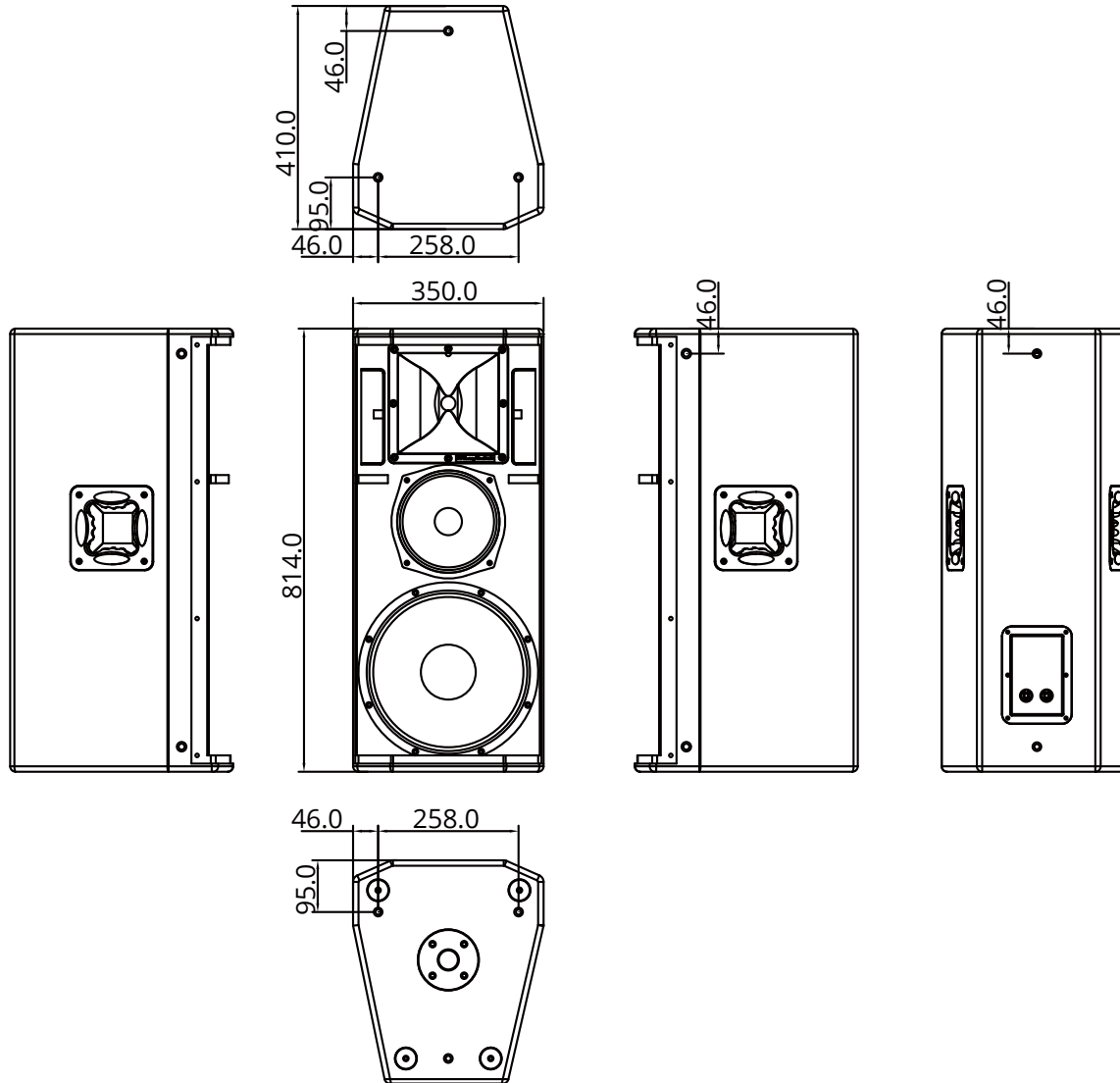
**Reason-X15** ..... 2

**Reason-X18B** ..... 3

**Reason-X218B** ..... 4



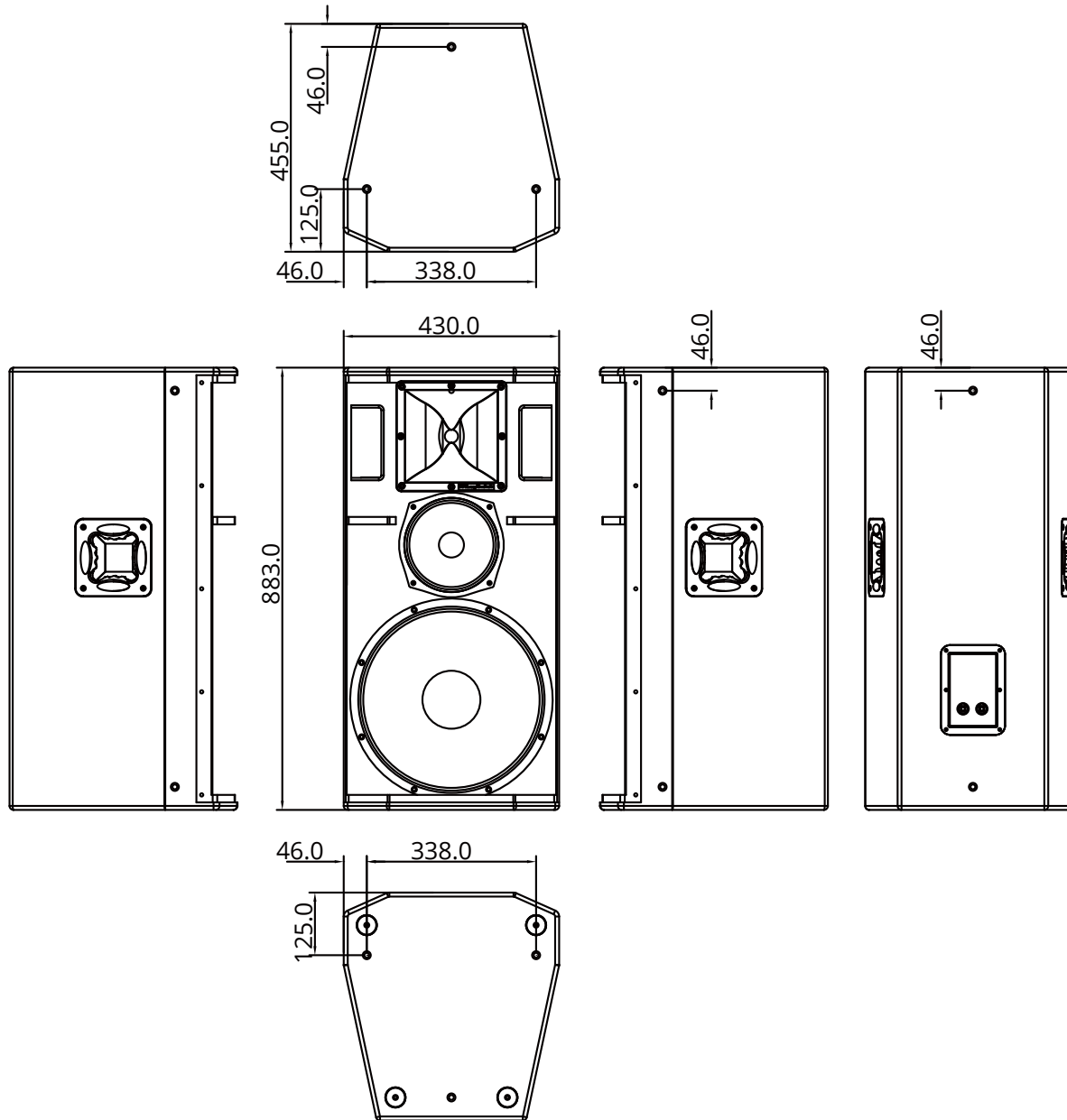
MODEL : Reason-X12



<b>Model Name</b>	Reason-X12
<b>System Type</b>	Passive
<b>Configuration</b>	Three-way
<b>Frequency Response (+/-3dB)</b>	55-20kHz
<b>Frequency Range (-10dB)</b>	50-20kHz
<b>Sensitivity 2.83V/1M</b>	98 dB
<b>Calculated Maximum SPL @1M</b>	131dB
<b>System Rated Impedance</b>	8Ω
<b>Low Frequency Transducer</b>	
Size	332mm / 12"
Voice Coil Size	75mm / 3.0"
LF Magnet Material	ferrite
LF Frame Material	Aluminium
Rated Impedance	8Ω
LF Power re: AES2-2012	400W
<b>Mid Frequency Transducer</b>	
Size	203.8mm / 8"
Voice Coil Size	50.8mm / 2.0"
MF Magnet Material	ferrite
MF Frame Material	Aluminium
Rated Impedance	8Ω
MF Power re: AES2-2012	100W
<b>High Frequency Transducer</b>	
HF Driver Type	Compression Driver
Coil Size (mm / inches)	38mm / 1.5"
Exit Size (mm / inches)	25mm / 1"
HF Magnet Material	NdFeB
Diaphragm Material	PEN
Rated Impedance	8Ω
HF Power re: AES2-2012	40W
Waveguide Type	square
Nominal Coverage (H x V)	100 x 70
Nominal Impedance	8Ω
<b>Power</b>	
System Continuous Power (W)	500
System Programme Power (W)	1000
System Peak Power (W)	2000
Crossover Frequency	800Hz / 2.7kHz
Input Connector	2 x speakON
Rigging	M8 x 12
Handles	2
<b>Enclosure</b>	
Cabinet Type	Trapezoid
Enclosure Material and finish	15mm plywood
Colour Options	Black paint
Grille Material & Finish	Steel
<b>Dimensions - Unpacked (mm / inches):</b>	
Height	814mm / 32.0"
Width Front	350mm / 13.8"
Width Rear	231mm / 9.1"
Depth	410mm / 16.1"
<b>Dimensions - Packed (mm / inches):</b>	
Height	909mm / 35.8"
Width Front	500mm / 19.7"
Width Rear	500mm / 19.7"
Depth	440mm / 17.3"
<b>Weight</b>	
Net Weight	29.0kg / 63.8lbs
Gross Weight	33.7kg / 74.2lbs



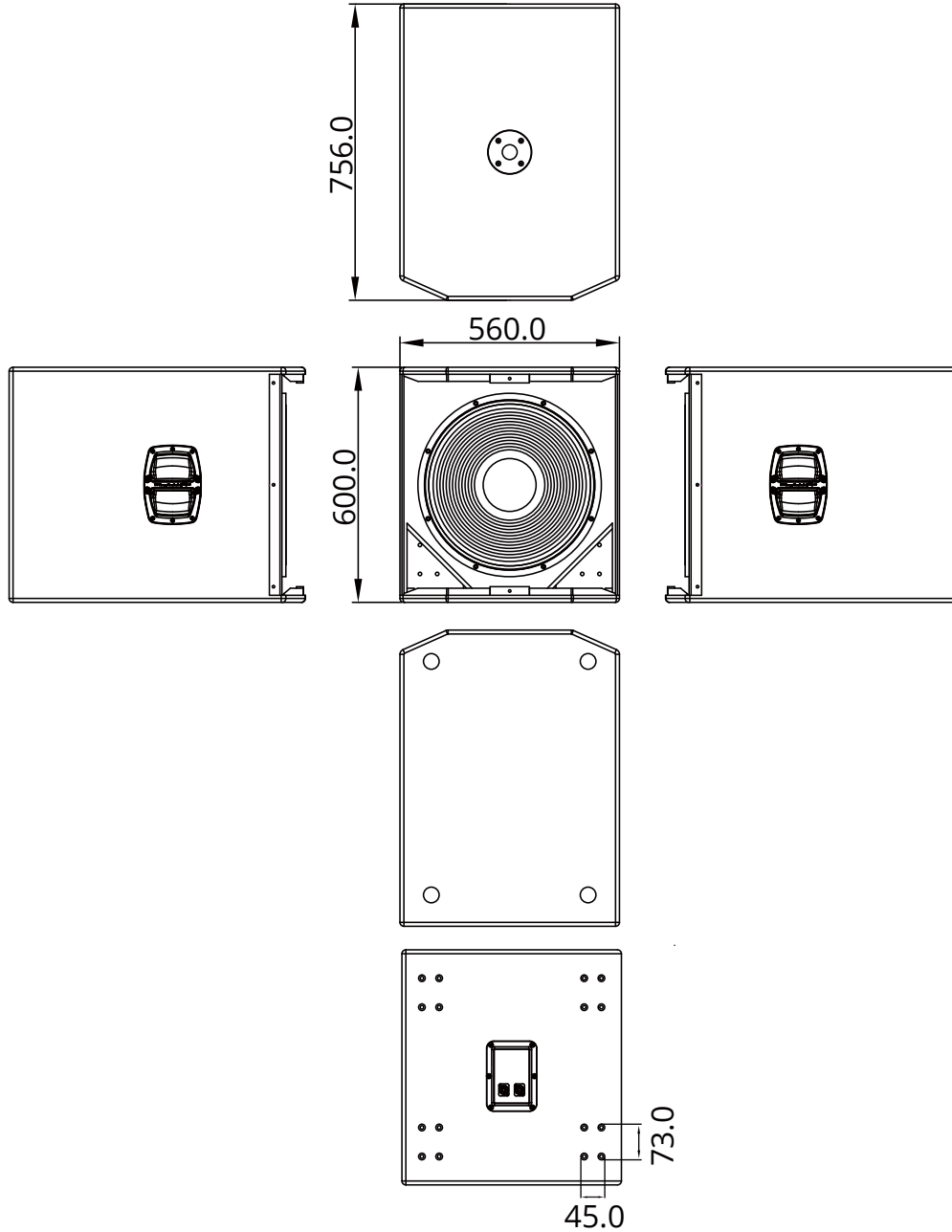
MODEL : Reason-X15



<b>Model Name</b>	Reason-X15
<b>System Type</b>	Passive
<b>Configuration</b>	Three-way
<b>Frequency Response (+/-3dB)</b>	45-20kHz
<b>Frequency Range (-10dB)</b>	40-20kHz
<b>Sensitivity 2.83V/1M</b>	99 dB
<b>Calculated Maximum SPL @1M</b>	133dB
<b>System Rated Impedance</b>	8Ω
<b>Low Frequency Transducer</b>	
Size	404mm / 15"
Voice Coil Size	75mm / 3.0"
LF Magnet Material	ferrite
LF Frame Material	Aluminium
Rated Impedance	8Ω
LF Power re:AES2-2012	500W
<b>Mid Frequency Transducer</b>	
Size	203.8mm / 8"
Voice Coil Size	50.8mm / 2.0"
MF Magnet Material	ferrite
MF Frame Material	Aluminium
Rated Impedance	8Ω
MF Power re:AES2-2012	100W
<b>High Frequency Transducer</b>	
HF Driver Type	Compression Driver
Coil Size (mm / inches)	38mm / 1.5"
Exit Size (mm / inches)	25mm / 1"
HF Magnet Material	NdFeB
Diaphragm Material	PEN
Rated Impedance	8Ω
HF Power re:AES2-2012	40W
Waveguide Type	square
Nominal Coverage (H x V)	100 x 70
Nominal Impedance	8Ω
<b>Power</b>	
System Continuous Power (W)	600
System Programme Power (W)	1200
System Peak Power (W)	2400
Crossover Frequency	800Hz / 2.7kHz
Input Connector	2 x speakON
Rigging	M8 x 12
Handles	2
<b>Enclosure</b>	
Cabinet Type	Trapezoid
Enclosure Material and finish	15mm plywood
Colour Options	Black paint
Grille Material & Finish	Steel
<b>Dimensions - Unpacked (mm / inches):</b>	
Height	883mm / 34.8"
Width Front	430mm / 16.9"
Width Rear	298mm / 11.7"
Depth	455mm / 17.9"
<b>Dimensions - Packed (mm / inches):</b>	
Height	978mm / 38.5"
Width Front	545mm / 21.5"
Width Rear	545mm / 21.5"
Depth	520mm / 20.5"
<b>Weight</b>	
Net Weight	32.5kg / 71.5lbs
Gross Weight	37.5kg / 82.5lbs



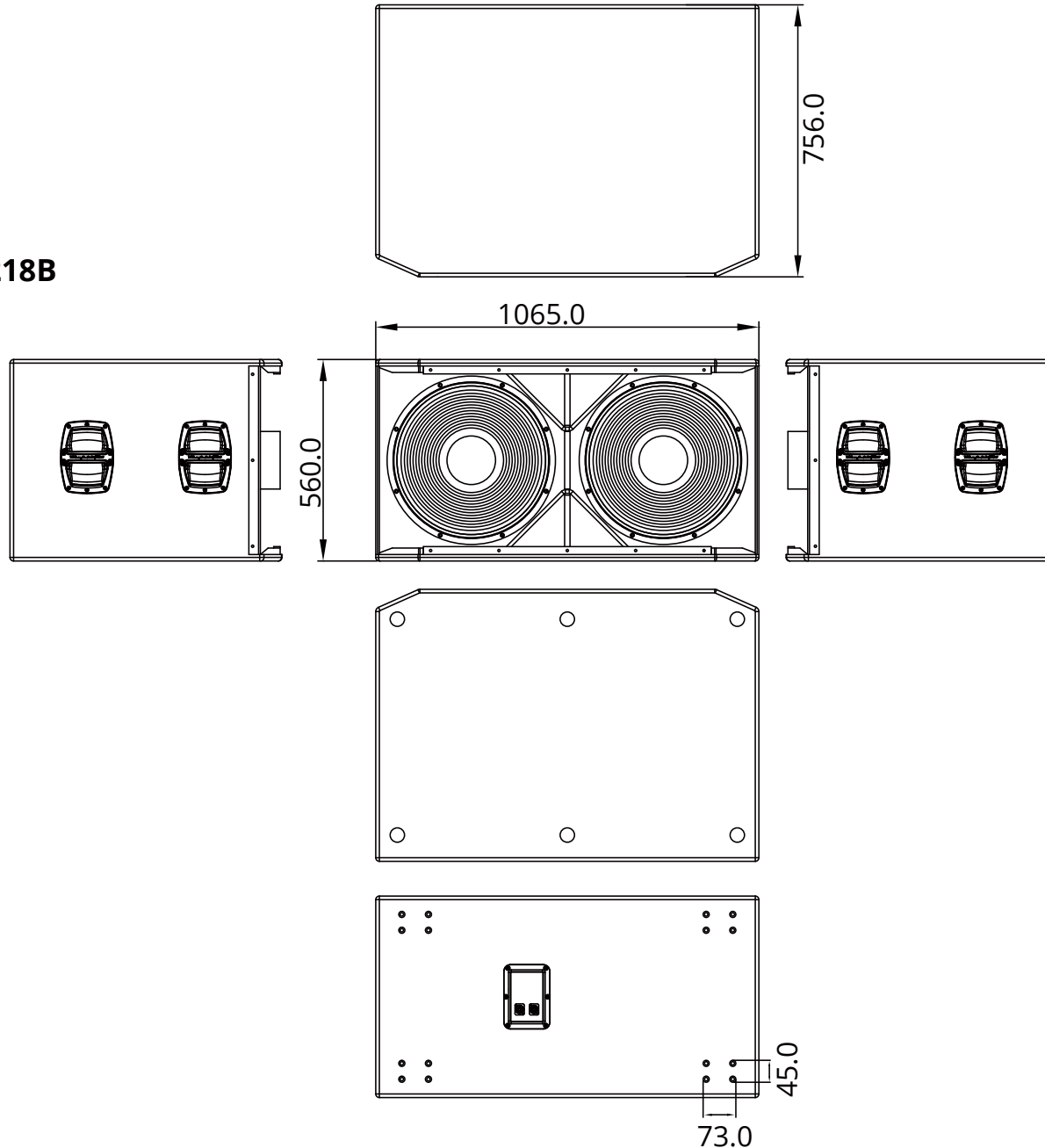
MODEL : Reason-X18B



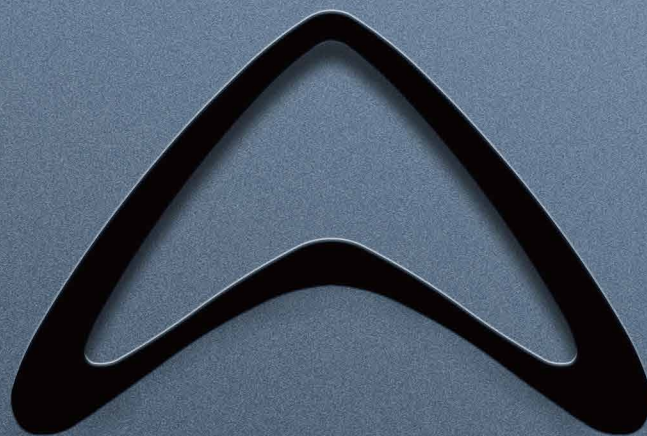
<b>Model Name</b>	Reason-X18B
System Type	Passive
Configuration	Single Subwoofer
Frequency Response (+/-3dB)	35-1kHz
Frequency Range (-10dB)	30-800HZ
Sensitivity 2.83V/1M	103dB
Calculated Maximum SPL @1M	139dB
System Rated Impedance	8Ω
<b>Low Frequency Transducer</b>	
Size	470mm / 18"
Voice Coil Size	102mm / 4"
LF Magnet Material	ferrite
LF Frame Material	aluminium
Rated Impedance	8Ω
LF Power re:AES2-2012	1000W
<b>Mid Frequency Transducer</b>	
Size	
Voice Coil Size	
MF Magnet Material	
MF Frame Material	
Rated Impedance	
MF Power re:AES2-2012	
<b>High Frequency Transducer</b>	
HF Driver Type	
Coil Size (mm / inches)	
Exit Size (mm / inches)	
HF Magnet Material	
Diaphragm Material	
Rated Impedance	
HF Power re:AES2-2012	
Waveguide Type	
Nominal Coverage (H x V)	
Nominal Impedance	
<b>Power</b>	
System Continuous Power (W)	1000W
System Programme Power (W)	2000W
System Peak Power (W)	4000W
Crossover Frequency	
Input Connector	2 x Speakon
Rigging	No
Handles	2 on Sides
<b>Enclosure</b>	
Cabinet Type	square
Enclosure Material and finish	18mm plywood
Colour Options	black paint
Grille Material & Finish	steel
<b>Dimensions - Unpacked (mm / inches):</b>	
Height	600mm / 23.6"
Width Front	560mm / 22.0"
Width Rear	560mm / 22.0"
Depth	756mm / 29.8"
<b>Dimensions - Packed (mm / inches):</b>	
Height	670mm/26.4"
Width Front	829mm/32.6"
Width Rear	829mm/32.6"
Depth	633mm/24.9"
<b>Weight</b>	
Net Weight	45.5kg / 100.1lbs.
Gross Weight	55.2kg / 121.4lbs.



MODEL : Reason-X218B



<b>Model Name</b>	Reason-X218B
<b>System Type</b>	Passive
<b>Configuration</b>	Dual Subwoofer
<b>Frequency Response (+/-3dB)</b>	30-1kHz
<b>Frequency Range (-10dB)</b>	25-800Hz
<b>Sensitivity 2.83V/1M</b>	109dB
<b>Calculated Maximum SPL @1M</b>	148dB
<b>System Rated Impedance</b>	4Ω
<b>Low Frequency Transducer</b>	
Size	470mm / 18"
Voice Coil Size	102mm / 4"
LF Magnet Material	ferrite
LF Frame Material	aluminium
Rated Impedance	2 x 8Ω
LF Power re:AES2-2012	2 x 1000W
<b>Mid Frequency Transducer</b>	
Size	
Voice Coil Size	
MF Magnet Material	
MF Frame Material	
Rated Impedance	
MF Power re:AES2-2012	
<b>High Frequency Transducer</b>	
HF Driver Type	
Coil Size (mm / inches)	
Exit Size (mm / inches)	
HF Magnet Material	
Diaphragm Material	
Rated Impedance	
HF Power re:AES2-2012	
Waveguide Type	
Nominal Coverage (H x V)	
Nominal Impedance	
<b>Power</b>	
System Continuous Power (W)	2000W
System Programme Power (W)	4000W
System Peak Power (W)	8000W
Crossover Frequency	
Input Connector	2 x Speakon
Rigging	No
Handles	4 on Sides
<b>Enclosure</b>	
Cabinet Type	square
Enclosure Material and finish	18mm plywood
Colour Options	black paint
Grille Material & Finish	steel
<b>Dimensions - Unpacked (mm / inches):</b>	
Height	560mm / 22.0"
Width Front	1065mm / 41.9"
Width Rear	1065mm / 41.9"
Depth	756mm / 29.8"
<b>Dimensions - Packed (mm / inches):</b>	
Height	668mm / 26.3"
Width Front	1138mm / 44.8"
Width Rear	1138mm / 44.8"
Depth	829mm / 32.6"
<b>Weight</b>	
Net Weight	73.8kg / 162.4lbs.
Gross Weight	87.7kg / 192.9lbs.



**[WWW.WHARFEDALEPRO.COM](http://WWW.WHARFEDALEPRO.COM)**

IAG HOUSE, 13/14 GLEBE ROAD, HUNTINGDON, CAMBRIDGESHIRE,  
PE29 7DL, UK  
TEL: +44(0) 1480 452 561

**October 2020**